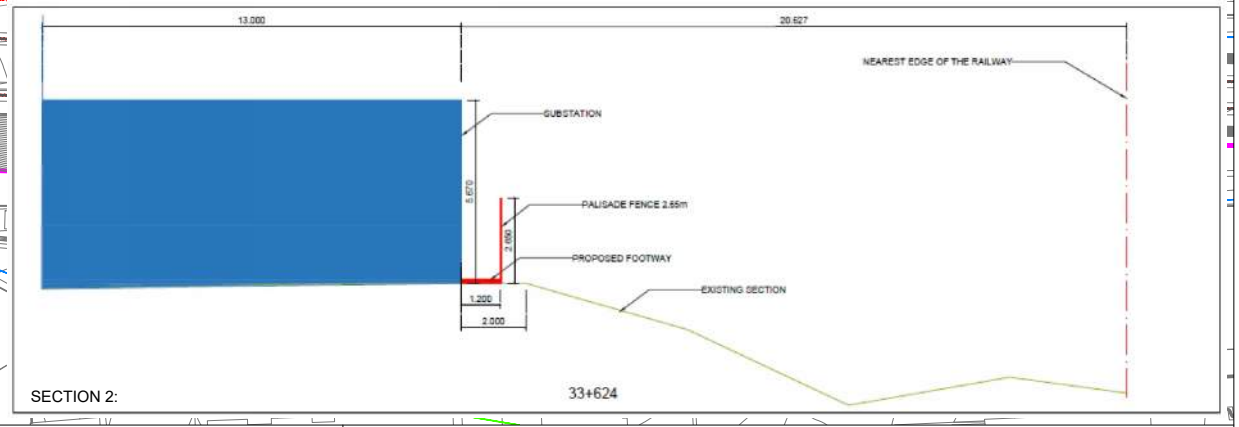
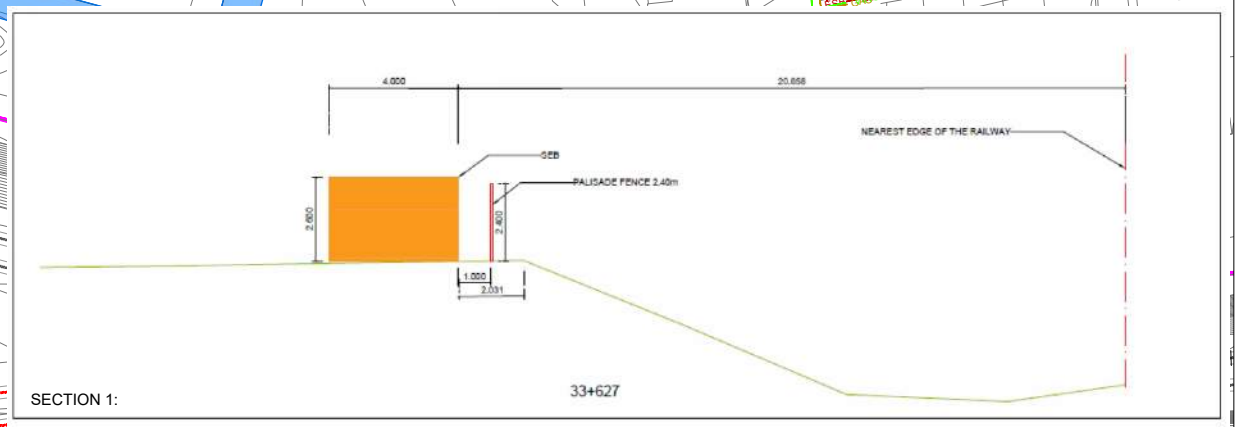


- Notes:**
- This drawing shows the following new SET buildings: 38kV traction substations (IÉ+ESB), SEB, PSP, 10kV MV+customer switch room and DNO
  - HV MPRN required and MPRN is required for DNO
  - 38kV traction substations (IÉ+ESB) measures:
    - IÉ part: 30 x 10 m (length x width) internal; 30.6 x 10.6 m (length x width) external; height 5.67m
    - ESB part: 14.88 x 8.4 m (length x width) internal; 15.48 x 9 m (length x width) external; height 5m
  - The GPS coordinates are referred to the center of the ESB part of the HV 38 kV substation: EASTINGS: 714658,8456 (ITM), NORTHINGS: 736639,5486 (ITM)

LEGEND	
ESB - MV/LV Underground	Industrial Sewage Network
ESB - HV Overhead	Water Supply Network
ESB - MV Overhead	Storm water
ESB - LV Overhead	EIR
Watermain	Network diversion
Gravity network	IE Property Line
Virgin (NTL - UPC)	
Gas Network (4 bar)	
Asphalt	SUBSTATION
Sidewalk	10kV MV
Landscape planting	ESB
Palisade fence 2.65 m	SEB
Palisade fence 2.40 m	PSP
	TER
	ASP
	DNO



V01	April 2022	PLANNING ISSUE	MCG	MPT	CCS
REV.	DATE	DESCRIPTION	PRODUCED BY	REVIEWED BY	APPROVED BY

© Irish Rail (2020). This drawing is confidential and the copyright in it is owned by Irish Rail. This drawing must not be either loaned, copied or otherwise reproduced in whole or in part or used for any purpose without the prior permission of Irish Rail.  
 © Ordnance Survey Ireland and Government of Ireland. All O.S. data used for plans are printed under "Copyright Ordnance Survey Ireland".  
 Survey No. 0039720 (OSi Aerial Data or OSi LIDAR Data) & Survey No. 2020/081\_NMA\_180 (OSi Vector Data).  
 All elevations are in metres and relate to OSi Geoid Model (OSGM02) Mean Head as defined by existing Project Control.  
 All Co-ordinates are in Irish Transverse Mercator Grid (ITM) as defined by OSi active GPS station Tallaght College (TLG0).

Client: Tionscald Éireann Project Ireland 2040, NTA, Iarnród Éireann Irish Rail

Consultant: IDOM, G3, IROD

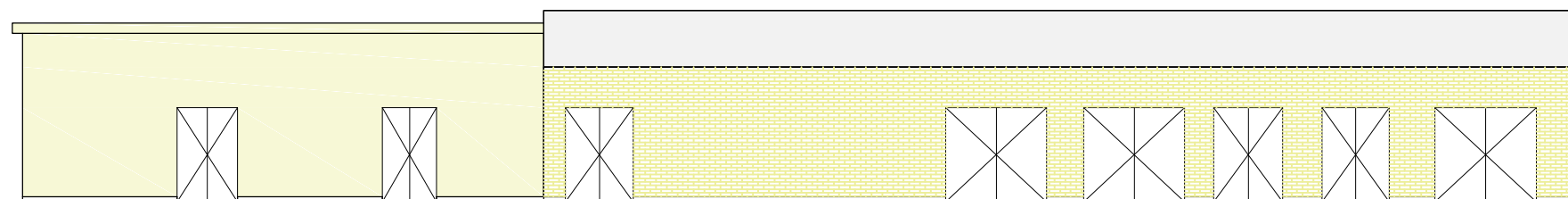
Project: DART+ West

Drawing Title: SET TECHNICAL BUILDINGS GLASNEVIN

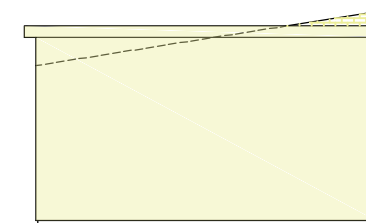
Scale: 1:500 @ A1

Drawing Number: MAY MDC SET RS04 DR Z 0003 D

Date: April 2022 | Job No: P/101086 | Status: F1-Approved & accepted | Rev: V01 | Sheet: 01 of 01

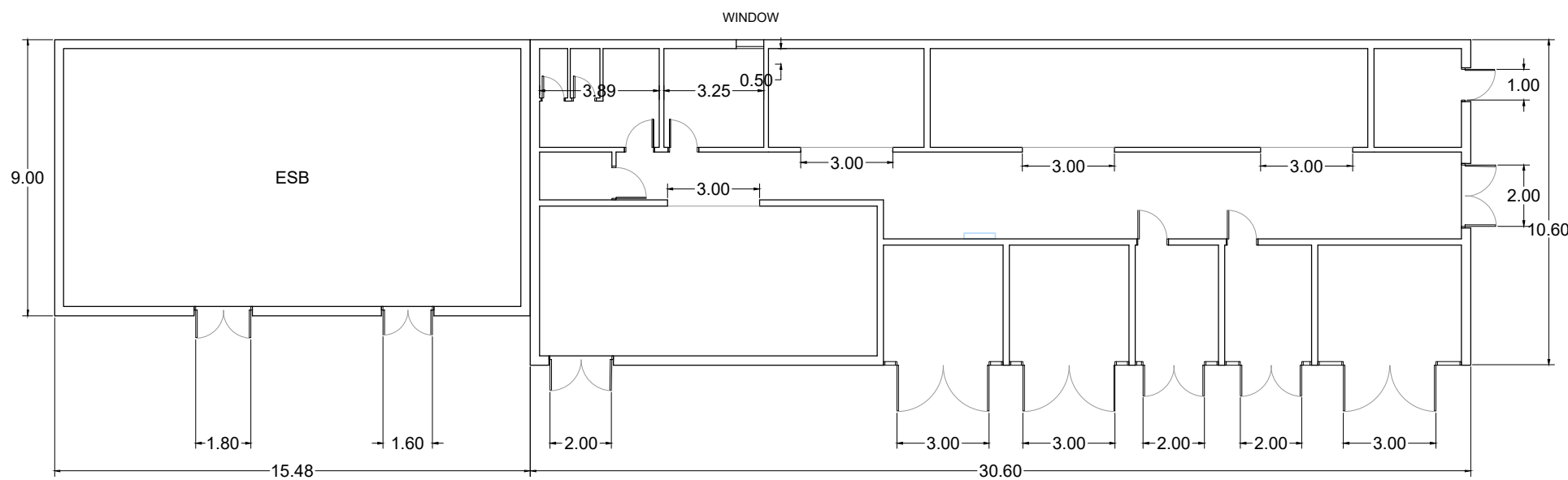


FRONT VIEW



VIEW 1-1'

1



PLAN VIEW

REV	DATE	DESCRIPTION	PRODUCED BY	REVIEWED BY	APPROVED BY
V01	April 2022	PLANNING ISSUE	MCG	MPT	CCS

© Irish Rail (2022). This drawing is confidential and the copyright in it is owned by Irish Rail. This drawing must not be either loaned, copied or otherwise reproduced in whole or in part or used for any purpose without the prior permission of Irish Rail.  
 © Ordnance Survey Ireland and Government of Ireland. All O.S. data used for plans are printed under 'Copyright Ordnance Survey Ireland'.  
 Survey No. 6039720 (OSi Aerial Data or OSi Lidar Data) & Survey No. 2020051\_NMA\_180 (OSi Vector Data).  
 All elevations are in metres and relate to OSi Geoid Model1 (OSGM02) Mean-High as defined by existing Project Control.  
 All Coordinates are in Irish Transverse Mercator Grid (ITM) as defined by OSi active GPS station Tallaght College (TL40).

Client

Consultant

Project

Drawing Title

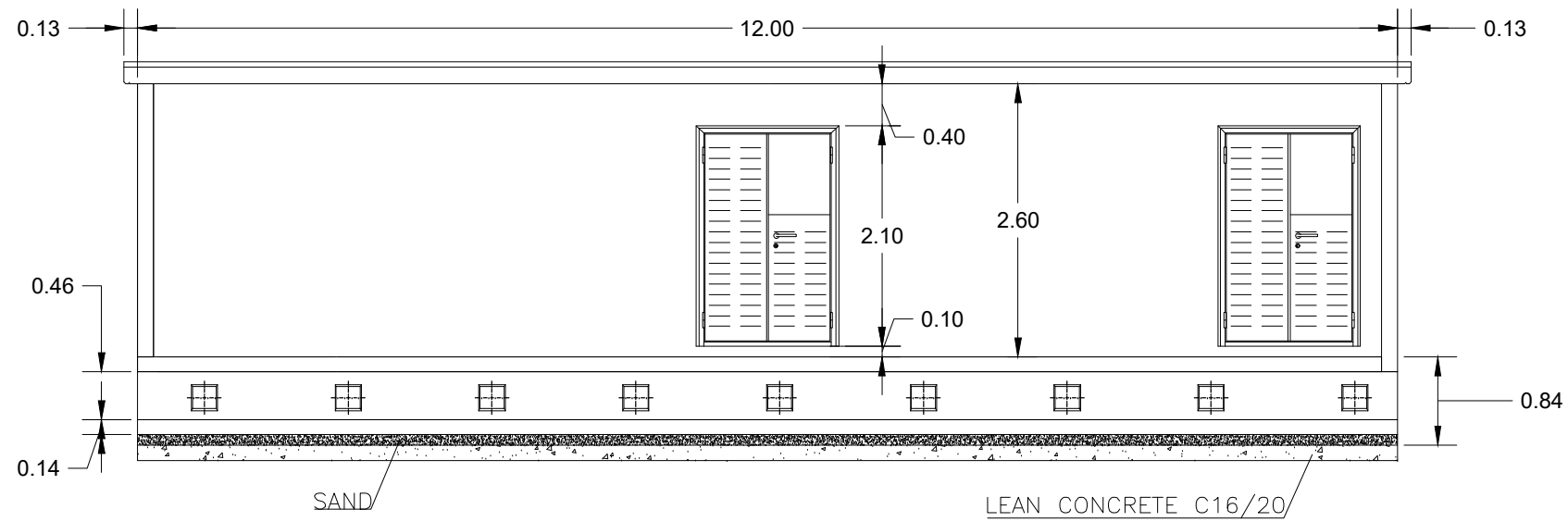
SET TECHNICAL BUILDINGS  
GLASNEVIN BUILDINGS DETAIL

Scale: 1/200@A3

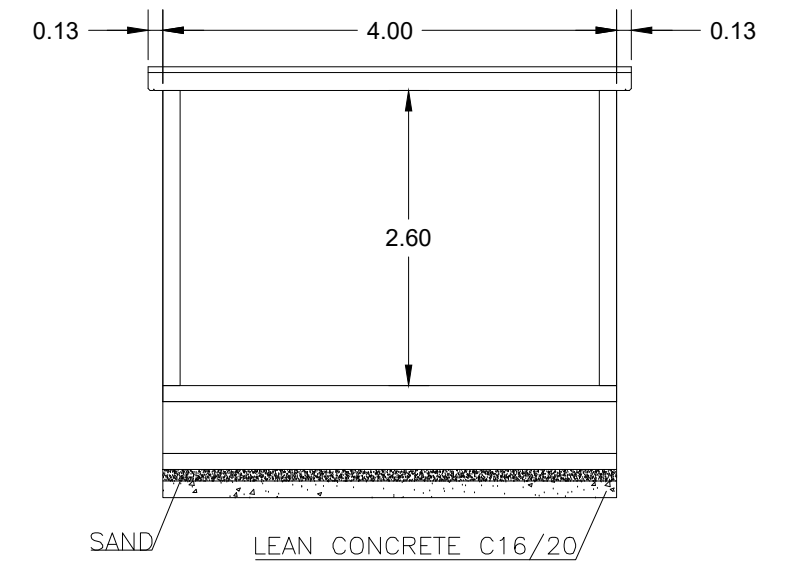
Date:	Job No:	Status:	Rev:	Sheet:
April 2022	P/101086	F1-Approved & accepted	V01	01 of 04

Drawing Number | Project | Originator | Discipline | Location | Type | Role | Number | Phase  
 MAY MDC SET RS04 DR Z 0010 D

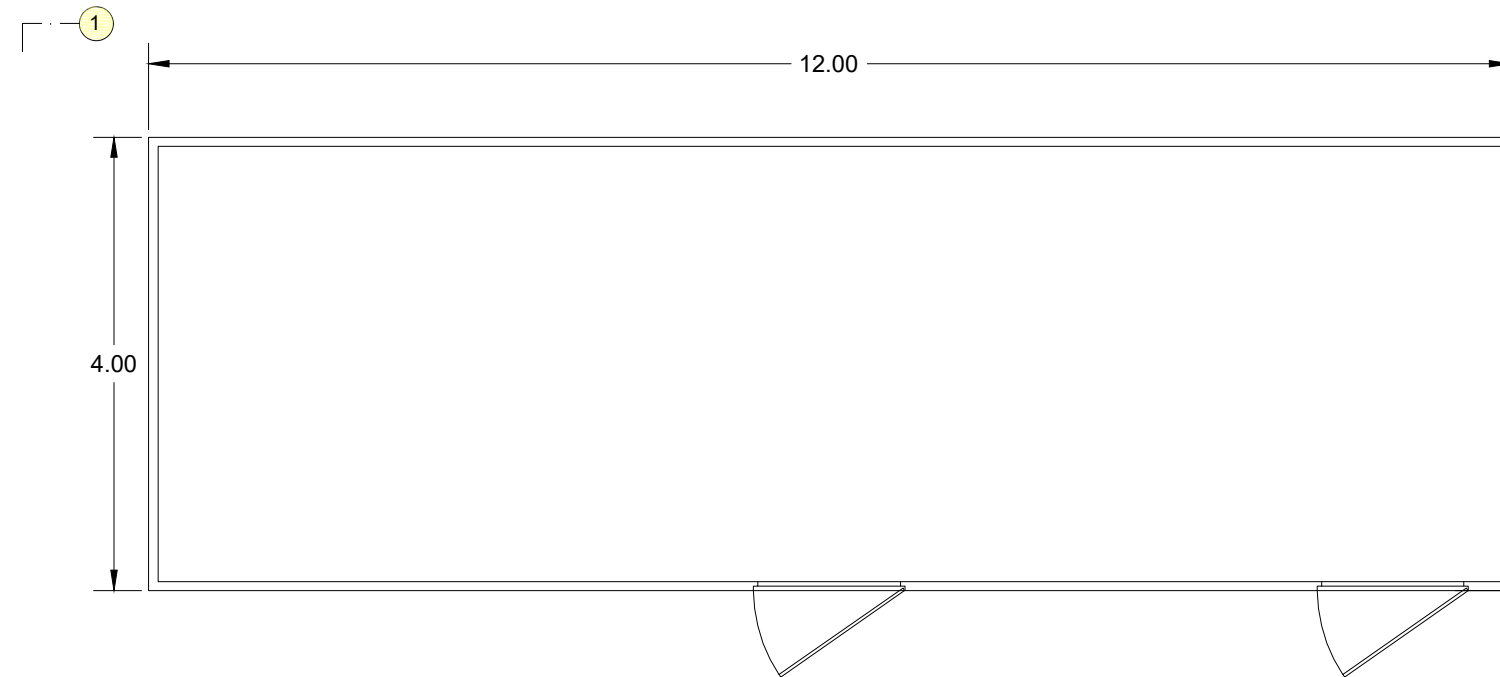




FRONT VIEW



VIEW 1'-1'

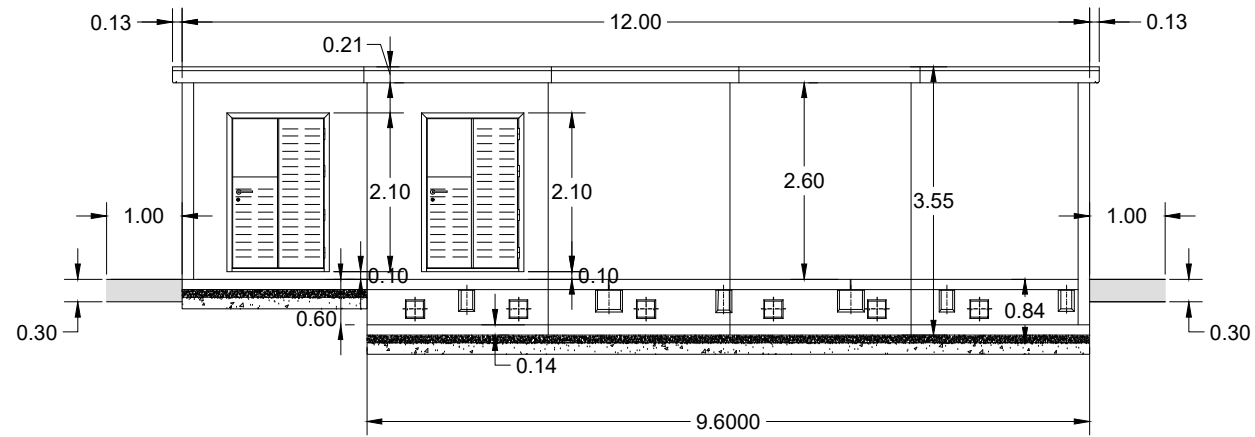


PLANT VIEW

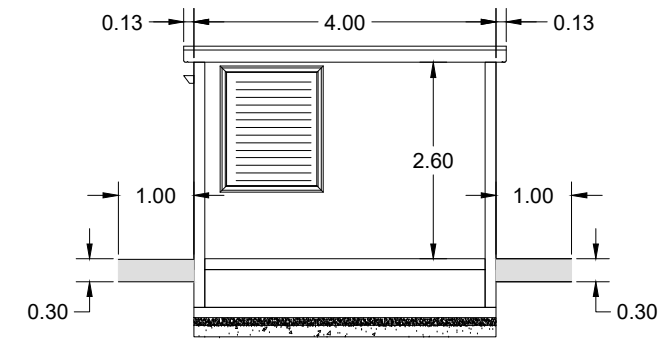
SEB BUILDING

<table border="1"> <tr> <td>REV</td> <td>DATE</td> <td>DESCRIPTION</td> <td>PRODUCED BY</td> <td>REVIEWED BY</td> <td>APPROVED BY</td> </tr> <tr> <td>V01</td> <td>April 2022</td> <td>PLANNING ISSUE</td> <td>MCG</td> <td>MPT</td> <td>CCS</td> </tr> </table>		REV	DATE	DESCRIPTION	PRODUCED BY	REVIEWED BY	APPROVED BY	V01	April 2022	PLANNING ISSUE	MCG	MPT	CCS	<p>Client</p>	<p>Project</p>	<p>Drawing Title</p> <p>SET TECHNICAL BUILDINGS GLASNEVIN BUILDINGS DETAIL</p>																							
REV	DATE	DESCRIPTION	PRODUCED BY	REVIEWED BY	APPROVED BY																																		
V01	April 2022	PLANNING ISSUE	MCG	MPT	CCS																																		
<p>Consultant</p>		<p>Scale:</p> <p>1:15@ A3</p>	<table border="1"> <tr> <td>Drawing Number</td> <td>Project</td> <td>Originator</td> <td>Discipline</td> <td>Location</td> <td>Type</td> <td>Role</td> <td>Number</td> <td>Phase</td> </tr> <tr> <td>MAY MDC SET RS04 DR Z 0010</td> <td></td> <td></td> <td></td> <td></td> <td></td> <td></td> <td>0010</td> <td>D</td> </tr> <tr> <td>Date:</td> <td>Job No:</td> <td>Status:</td> <td>Rev:</td> <td>Sheet:</td> <td colspan="4"></td> </tr> <tr> <td>April 2022</td> <td>P/101086</td> <td>F1-Approved &amp; accepted</td> <td>V01</td> <td>02 of 04</td> <td colspan="4"></td> </tr> </table>	Drawing Number	Project	Originator	Discipline	Location	Type	Role	Number	Phase	MAY MDC SET RS04 DR Z 0010							0010	D	Date:	Job No:	Status:	Rev:	Sheet:					April 2022	P/101086	F1-Approved & accepted	V01	02 of 04				
Drawing Number	Project	Originator	Discipline	Location	Type	Role	Number	Phase																															
MAY MDC SET RS04 DR Z 0010							0010	D																															
Date:	Job No:	Status:	Rev:	Sheet:																																			
April 2022	P/101086	F1-Approved & accepted	V01	02 of 04																																			

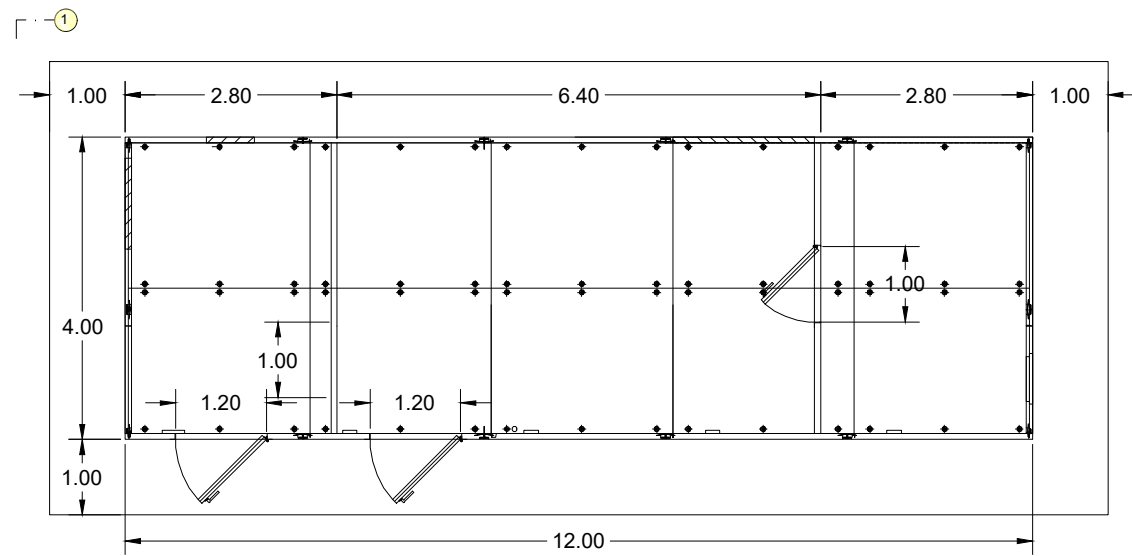
© Irish Rail (2022). This drawing is confidential and the copyright in it is owned by Irish Rail. This drawing must not be either loaned, copied or otherwise reproduced in whole or in part or used for any purpose without the prior permission of Irish Rail.  
 © Ordnance Survey Ireland and Government of Ireland. All O.S. data used for plans are printed under 'Copyright Ordnance Survey Ireland'.  
 Survey No. 6039720 (OSI Aerial Data or OSI Lidar Data) & Survey No. 2020091\_NMA\_180 (OSI Vector Data).  
 All elevations are in metres and relate to OSi Geoid Model1 (OSGM02) Mean-High as defined by existing Project Control.  
 All Co-ordinates are in Irish Transverse Mercator Grid (ITM) as defined by OSi active GPS station Tallaght College (TL40).



FRONT VIEW



VIEW 1'-1'



PLANT VIEW

PSP BUILDING

REV	DATE	DESCRIPTION	PRODUCED BY	REVIEWED BY	APPROVED BY
V01	April 2022	PLANNING ISSUE	MCG	MPT	CCS

© Irish Rail (2022). This drawing is confidential and the copyright in it is owned by Irish Rail. This drawing must not be either loaned, copied or otherwise reproduced in whole or in part or used for any purpose without the prior permission of Irish Rail.  
 © Ordnance Survey Ireland and Government of Ireland. All O.S. data used for plans are printed under 'Copyright Ordnance Survey Ireland'.  
 Survey No. 6039720 (OS Aerial Data or OS Lidar Data) & Survey No. 2020091\_NMA\_180 (OS Vector Data).  
 All elevations are in metres and relate to OS Geoid Model1 (OSGM02) Mean-High as defined by existing Project Control.  
 All Co-ordinates are in Irish Transverse Mercator Grid (ITM) as defined by OSi active GPS station Tallaght College (TL4-0).

Client

Consultant

Project

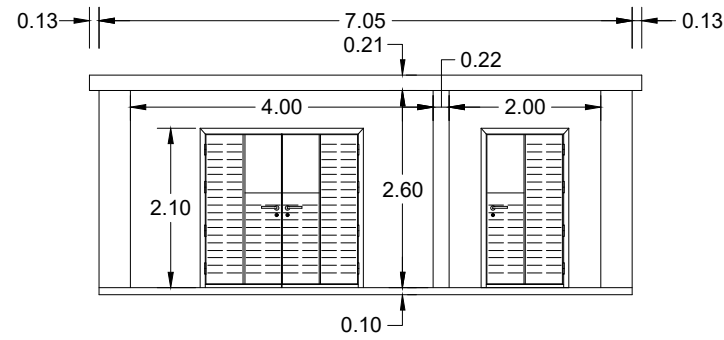
Drawing Title

SET TECHNICAL BUILDINGS  
GLASNEVIN BUILDINGS DETAIL

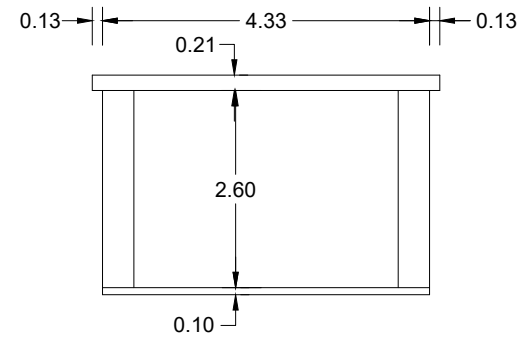
Scale:  
1:100 @ A3

Date:	Job No:	Status:	Rev:	Sheet:
April 2022	P/101086	F1-Approved & accepted	V01	03 of 04

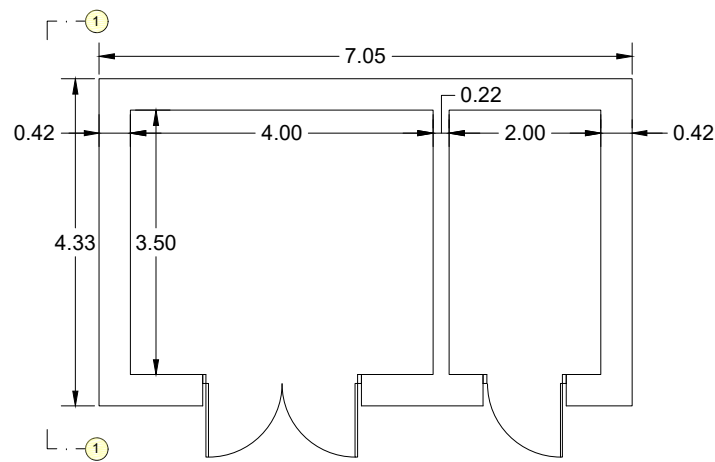
Drawing Number | Project | Originator | Discipline | Location | Type | Role | Number | Phase  
MAY MDC SET RS04 DR Z 0010 D



FRONT VIEW



VIEW 1'-1'



PLANT VIEW

10KV MV & SWITCH ROOM BUILDING

REV	DATE	DESCRIPTION	PRODUCED BY	REVIEWED BY	APPROVED BY
V01	April 2022	PLANNING ISSUE	MCG	MPT	CCS

© Irish Rail (2022). This drawing is confidential and the copyright in it is owned by Irish Rail. This drawing must not be either loaned, copied or otherwise reproduced in whole or in part or used for any purpose without the prior permission of Irish Rail.  
 © Ordnance Survey Ireland and Government of Ireland. All O.S. data used for plans are printed under 'Copyright Ordnance Survey Ireland' Survey No. 6039720 (OSi Aerial Data or OSi Lidar Data) & Survey No. 2020051\_NMA\_180 (OSi Vector Data).  
 All elevations are in metres and relate to OSi Geoid Model1 (OSGM02) Mean-High as defined by existing Project Control.  
 All Co-ordinates are in Irish Transverse Mercator Grid (ITM) as defined by OSi active GPS station Tallaght College (TL40).

Client

Consultant

Project

Drawing Title

SET TECHNICAL BUILDINGS  
GLASNEVIN BUILDINGS DETAIL

Scale:  
1:100 @ A3

Date:	Job No:	Status:	Rev:	Sheet:
April 2022	P/101086	F1-Approved & accepted	V01	04 of 04

Drawing Number | Project | Originator | Discipline | Location | Type | Role | Number | Phase  
MAY MDC SET RS04 DR Z 0010 D